

## DESCRIPTION

The GLF1110H / GLF1111H is an ultra-efficiency, 2 A rated, Load Switch with integrated slew rate control. The best in class efficiency makes it an ideal choice for use in IoT, mobile, and wearable electronics.

The GLF1110H / GLF1111H features ultra-efficient I<sub>Q</sub>Smart™ technology that supports the lowest quiescent current (I<sub>Q</sub>) and shutdown current (I<sub>SD</sub>) in the industry. Low I<sub>Q</sub> and I<sub>SD</sub> solutions help designers to reduce parasitic leakage current, improve system efficiency, and increase battery lifetime.

The integrated slew rate control can also enhance system reliability by mitigating bus voltage swings during switching events. Where uncontrolled switches can generate high inrush currents that result in voltage droop and/or bus reset events, the GLF slew rate control specifically limits inrush currents during turn-on to minimize voltage droop.

The GLF1110H / GLF1111H supports an industry leading wide input voltage range and helps to improve operating life and system robustness. Furthermore, one device can be used in multiple voltage rail applications which helps to simplify inventory management and reduce operating cost.

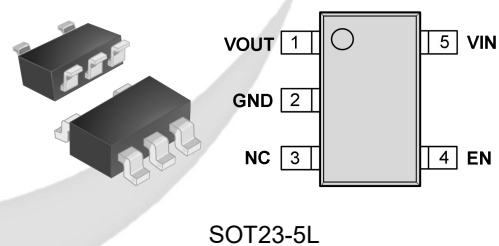
## FEATURES

- Wide Input Range: 1.5 V to 5.5 V  
6 V abs max
- R<sub>ON</sub> : 54 mΩ Typ at 5.5 V<sub>IN</sub>
- I<sub>OUT</sub> Max: 2 A
- Ultra-Low I<sub>Q</sub>: 2 nA Typ at 5.5 V<sub>IN</sub>
- Ultra-Low I<sub>SD</sub>: 13 nA Typ at 5.5 V<sub>IN</sub>
- Controlled Rise Time: 600 μs at 3.3 V<sub>IN</sub>
- Internal EN Pull-Down Resistor
- Integrated Output Discharge Switch: GLF1111H
- Wide Operating Temperature Range:  
-40 °C ~ 105 °C
- HBM: 4 kV, CDM: 2 kV

## APPLICATIONS

- Smart IoT Devices
- Portable Industrial Devices
- Low Power Subsystems

## PACKAGE

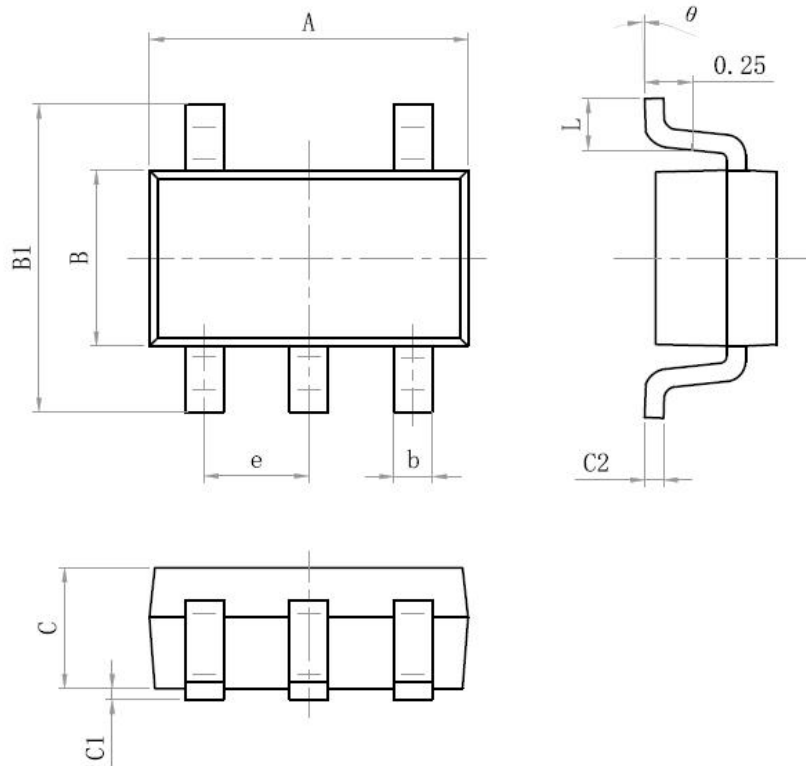


## ALTERNATE DEVICE OPTIONS

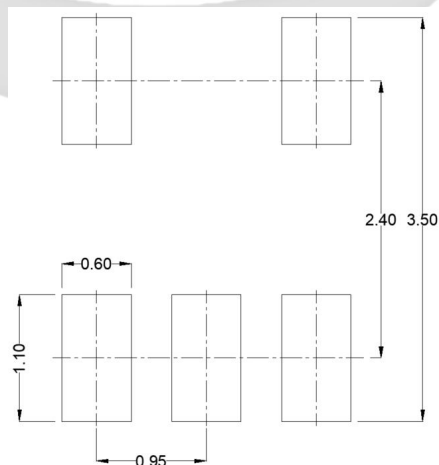
Part Number	Top Mark	R <sub>ON</sub> (Typ) at 5.5 V	Output Discharge	EN Activity
GLF1110H-T1G7	DKH	54 mΩ	NA	High
GLF1111H-T1G7	DLH	54 mΩ	85 Ω	High

**PACKAGE OUTLINE**

Size Mark	Min (mm)	Max (mm)	Size Mark	Min (mm)	Max (mm)
A	2.82	3.02	C	1.05	1.15
e	0.95 (BSC)		C1	0.03	0.15
b	0.28	0.45	C2	0.12	0.23
B	1.50	1.70	L	0.35	0.55
B1	2.60	3.00	θ	0°	8°



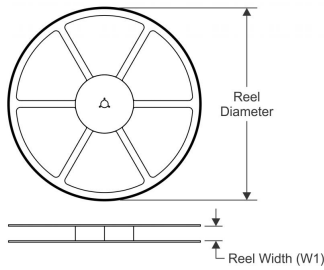
**Recommended Footprint**



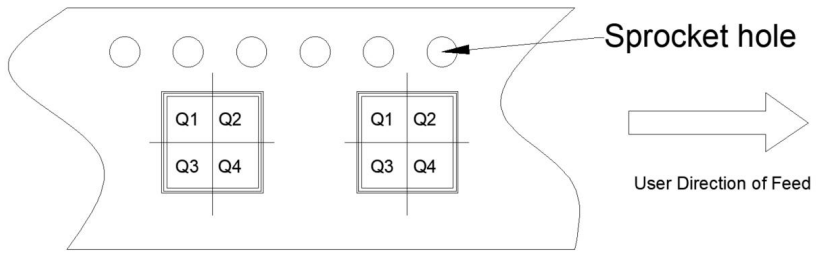
VER

**TAPE AND REEL INFORMATION**

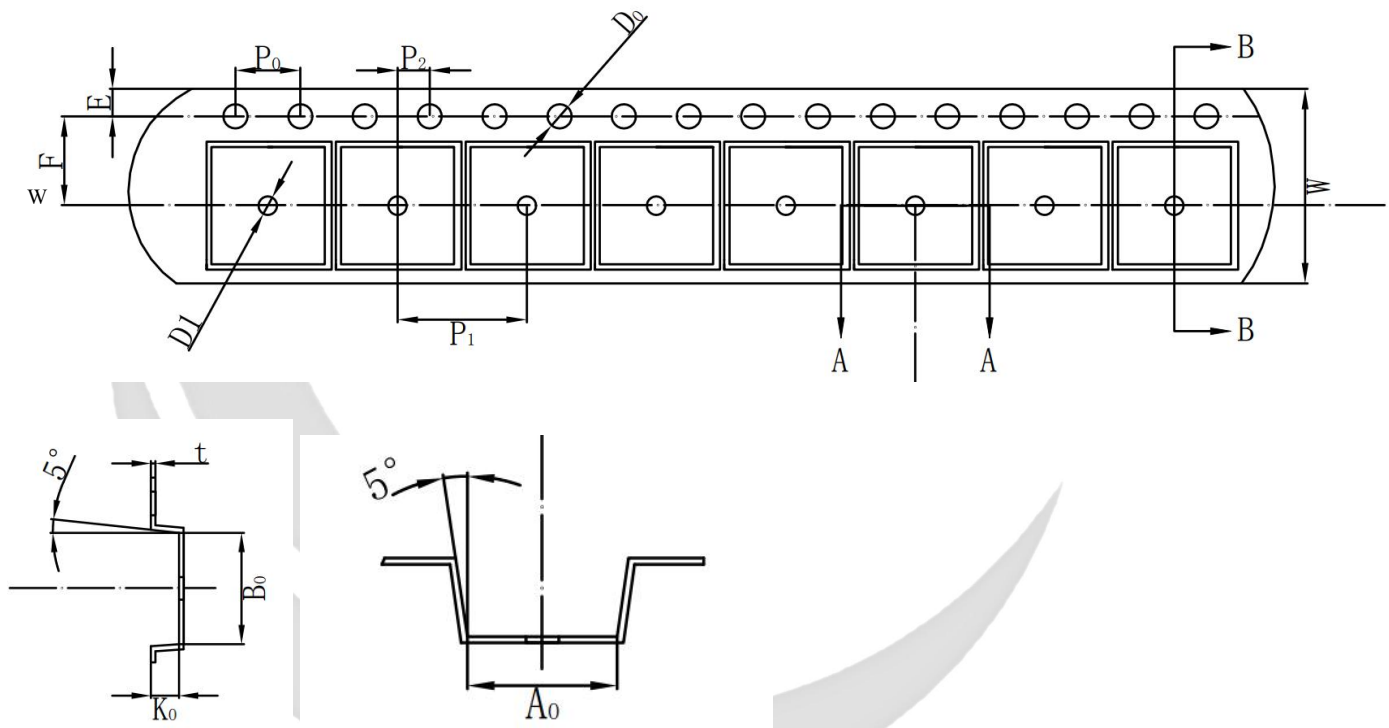
**REEL DIMENSIONS**



**QUADRANT ASSIGNMENTS PIN 1 ORIENTATION TAPE**



**TAPE DIMENSIONS**



Device	Package	Pins	SPQ	Reel Diameter (mm)	Reel Width W1	A0	B0	K0	P1	W	Pin1
GLF1110H-T1G7	SOT23-5	5	3000	178	9	3.25	3.30	1.38	4	8	Q3
GLF1111H-T1G7	SOT23-5	5	3000	178	9	3.25	3.30	1.38	4	8	Q3

Remark:

A0: Dimension designed to accommodate the component width

B0: Dimension designed to accommodate the component length

C0: Dimension designed to accommodate the component thickness

W: Overall width of the carrier tape

P1: Pitch between successive cavity centers