

## DESCRIPTION

The GLF72525 and GLF72525T Load Switch are fully integrated 4 A NMOS load switch with I<sub>Q</sub>Smart™ advanced technology. The device is targeted for the mobile computing and data storage markets as a high performance solution for load switch applications.

The GLF72525 and GLF72525T have a constant low on-resistance of 9.0 mΩ at the full input voltage range. The fixed rise time helps prevent undesirable inrush current when turned on and the internal EN pin pulldown resistor ensures the device remains in the shutdown mode when disabled. In shutdown mode the GLF72525 and GLF72525T draw only 14 nA typical at 3.6 V input supply voltage.

The GLF72525 and GLF72525T features a reverse current blocking protection, when GLF72525 and GLF72525T are disabled. This function can prevents reverse current flowing from the output to the input source.

The GLF72525 is available in a wafer level chip scale package (WLCSP). The GLF72525T is in a thin WLCSP in a 0.35 mm typical thickness. It allows the user to save board space and increase cost savings.

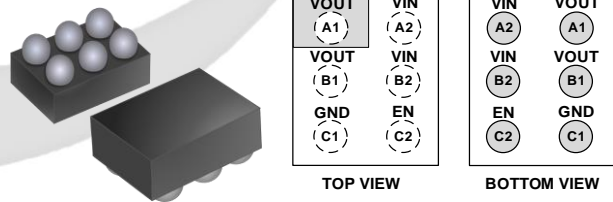
## FEATURES

- Supply Voltage Range: 0.7 V to 3.6 V
- Low R<sub>ON</sub>: 9.0 mΩ Typ
- I<sub>OUT</sub> Max: 4 A
- Ultra-Low I<sub>Q</sub>:
  - 5.6 μA Typ at 0.7 V<sub>IN</sub>
  - 3.8 μA Typ at 0.8 V<sub>IN</sub>
  - 8.8 μA Typ at 3.6 V<sub>IN</sub>
- Ultra-Low I<sub>SD</sub>: 14 nA Typ @ 3.6 V<sub>IN</sub>
- Controlled V<sub>OUT</sub> Turn-on Time
  - 111 μs at 0.7 V<sub>IN</sub>
  - 113 μs at 0.8 V<sub>IN</sub>
  - 87 μs at 3.6 V<sub>IN</sub>
- Internal EN Pull-Down Resistor
- Integrated Output Discharge Switch
- Reverse Current Blocking Protection When Disabled
- Operating Temperature Range: - 40 °C to 105 °C
- HBM: 8 kV, CDM: 2 kV

## APPLICATIONS

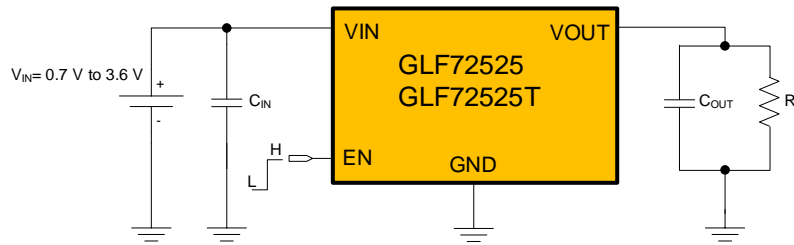
- Data Storage, SSD
- Wearables
- Low Power Subsystems

## PACKAGE



0.97 mm x 1.47 mm WLCSP

**APPLICATION DIAGRAM**



**DEVICE ORDERING INFORMATION**

Part Number	Top Mark	R <sub>ON</sub> Typ. at Vin Range	Output Discharge	EN Activity	Package
GLF72525	FJ	9.0 mΩ	85 Ω	High	0.97 mm x 1.47 mm x 0.55 mm WLCSP
GLF72525T	FO				0.97 mm x 1.47 mm x 0.35 mm Thin WLCSP

**FUNCTIONAL BLOCK DIAGRAM**

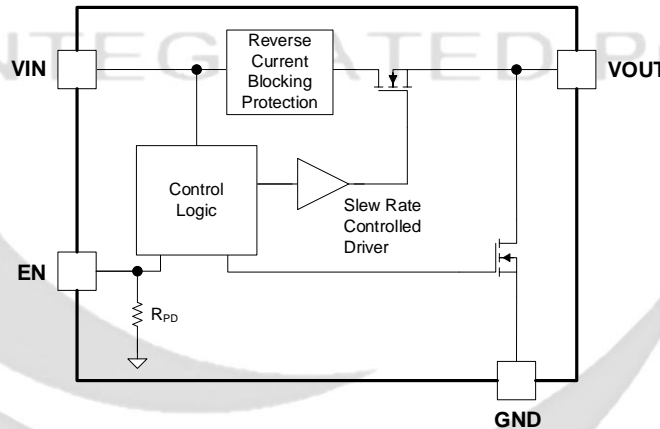


Figure 1. Functional Block Diagram

**PIN CONFIGURATION**

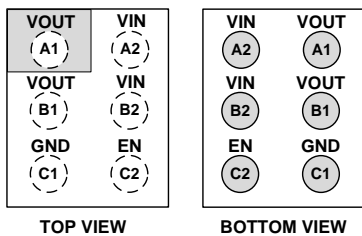


Figure 2. 0.97 mm x 1.47 mm WLCSP

**PIN DEFINITION**

Pin #	Name	Description
A1, B1	VOUT	Switch Output
A2, B2	VIN	Switch Input. Supply Voltage for IC
C1	GND	Ground
C2	EN	Enable to control the switch

**ABSOLUTE MAXIMUM RATINGS**

Stresses exceeding the absolute maximum ratings may damage the device. The device may not function or be operable above the recommended operating conditions and extended exposure to stresses above the recommended operating conditions may affect device reliability. The absolute maximum ratings are stress ratings only.

Symbol	Parameter	Min.	Max.	Unit
$V_{IN}, V_{OUT}, V_{EN}$	Each Pin Voltage Range to GND	-0.3	4	V
$I_{OUT}$	Maximum Continuous Switch Current		4	A
$P_D$	Power Dissipation at $T_A = 25^\circ\text{C}$		1.2	W
$T_{STG}$	Storage Junction Temperature	-65	150	$^\circ\text{C}$
$\theta_{JA}$	Thermal Resistance, Junction to Ambient		85	$^\circ\text{C}/\text{W}$
ESD	Electrostatic Discharge Capability	Human Body Model, JESD22-A114	8	kV
		Charged Device Model, JESD22-C101	2	

**RECOMMENDED OPERATING CONDITIONS**

Symbol	Parameter	Min.	Max.	Unit
$V_{IN}$	Supply Voltage	0.7	3.6	V
$T_A$	Ambient Operating Temperature	-40	+105	$^\circ\text{C}$

**ELECTRICAL CHARACTERISTICS**
 $V_{IN} = 0.7\text{ V to }3.6\text{ V}$  and  $T_A = 25\text{ }^\circ\text{C}$  unless otherwise noted.

Symbol	Parameter	Conditions	Min.	Typ.	Max.	Units	
<b>Basic Operation</b>							
$I_Q$	Quiescent Current	$V_{IN} = 0.7\text{ V}$		5.6		$\mu\text{A}$	
		$V_{IN} = 0.8\text{ V}$		3.8			
		$V_{IN} = 1.5\text{ V}$		3.1			
		$V_{IN} = 2.5\text{ V}$		5.1			
		$V_{IN} = 3.0\text{ V}$		6.5			
		$V_{IN} = 3.6\text{ V}$		8.8			
		$V_{IN} = 3.6\text{ V}, T_A = 85\text{ }^\circ\text{C}$		16			
		$V_{IN} = 3.6\text{ V}, T_A = 105\text{ }^\circ\text{C}$		39			
$I_{SD}$	Shutdown Current	$V_{IN} = 0.7\text{ V}$		6	20	$\text{nA}$	
		$V_{IN} = 0.8\text{ V}$		6			
		$V_{IN} = 1.5\text{ V}$		7			
		$V_{IN} = 2.5\text{ V}$		8			
		$V_{IN} = 3.0\text{ V}$		9			
		$V_{IN} = 3.6\text{ V}$		14	35		
		$V_{IN} = 3.6\text{ V}, T_A = 85\text{ }^\circ\text{C}$		550			
		$V_{IN} = 3.6\text{ V}, T_A = 105\text{ }^\circ\text{C}$		2.1		$\mu\text{A}$	
$R_{ON}$	On-Resistance	$V_{IN} = 0.7\text{ V to }3.6\text{ V}$ $I_{OUT} = 300\text{ mA}$	$T_A = 25\text{ }^\circ\text{C}$		9	12	$\text{m}\Omega$
			$T_A = 85\text{ }^\circ\text{C}$		10		
			$T_A = 105\text{ }^\circ\text{C}$		11		
$R_{DSC}$	Output Discharge Resistance	$EN = \text{Low}, I_{FORCE} = 10\text{ mA}$		85		$\Omega$	
$V_{IH}$	EN Input Logic High Voltage	$V_{IN} = 0.7\text{ V to }1.5\text{ V}$		0.7		$\text{V}$	
		$V_{IN} = 1.5\text{ V to }3.6\text{ V}$		1.1		$\text{V}$	
$V_{IL}$	EN Input Logic Low Voltage	$V_{IN} = 0.7\text{ V to }1.5\text{ V}$			0.15	$\text{V}$	
		$V_{IN} = 1.5\text{ V to }3.6\text{ V}$			0.4	$\text{V}$	
$R_{EN}$	EN pull down resistance	$V_{EN} = 3.3\text{ V}$		10		$\text{M}\Omega$	
<b>Switching Characteristics <sup>(1)</sup></b>							
$t_{dON}$	Turn-On Delay Time $R_{OUT} = 10\text{ }\Omega, C_{OUT} = 5.0\text{ }\mu\text{F}$	$V_{IN} = 0.7\text{ V}$		40		$\mu\text{s}$	
		$V_{IN} = 0.8\text{ V}$		52			
		$V_{IN} = 1.2\text{ V}$		48			
		$V_{IN} = 2.5\text{ V}$		14			
		$V_{IN} = 3.6\text{ V}$		5			
$t_r$	$V_{OUT}$ Rise Time $R_{OUT} = 10\text{ }\Omega, C_{OUT} = 5.0\text{ }\mu\text{F}$	$V_{IN} = 0.7\text{ V}$		71		$\mu\text{s}$	
		$V_{IN} = 0.8\text{ V}$		61			
		$V_{IN} = 1.2\text{ V}$		65			
		$V_{IN} = 2.5\text{ V}$		77			
		$V_{IN} = 3.6\text{ V}$		82			
$t_{dOFF}$	Turn-Off Delay Time $R_{OUT} = 10\text{ }\Omega, C_{OUT} = 5.0\text{ }\mu\text{F}$	$V_{IN} = 0.7\text{ V}$		8		$\mu\text{s}$	
		$V_{IN} = 0.8\text{ V}$		4			
		$V_{IN} = 1.2\text{ V}$		3			
		$V_{IN} = 2.5\text{ V}$		3			
		$V_{IN} = 3.6\text{ V}$		3			

**ELECTRICAL CHARACTERISTICS (continued)**

$V_{IN} = 0.8\text{ V}$  to  $3.6\text{ V}$  and  $T_A = 25\text{ }^\circ\text{C}$  unless otherwise noted.

Symbol	Parameter	Conditions	Min.	Typ.	Max.	Units
<b>Switching Characteristics <sup>(1)</sup> (continued)</b>						
$t_F$	$V_{OUT}$ Fall Time $R_{OUT} = 10\ \Omega$ , $C_{OUT} = 5.0\ \mu\text{F}$	$V_{IN} = 0.7\text{ V}$		86		$\mu\text{s}$
		$V_{IN} = 0.8\text{ V}$		82		
		$V_{IN} = 1.2\text{ V}$		91		
		$V_{IN} = 2.5\text{ V}$		99		
		$V_{IN} = 3.6\text{ V}$		105		

Notes: 1. By design; characterized, not production tested.  $t_{ON} = t_{dON} + t_R$ ,  $t_{OFF} = t_{dOFF} + t_F$

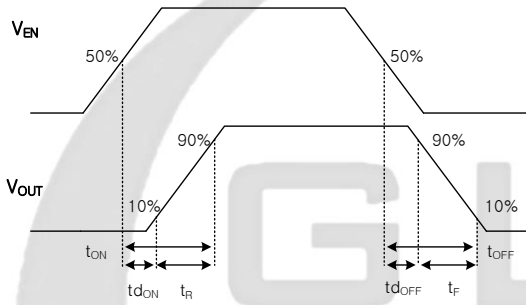


Figure 3. Timing Diagram

**TYPICAL PERFORMANCE CHARACTERISTICS**

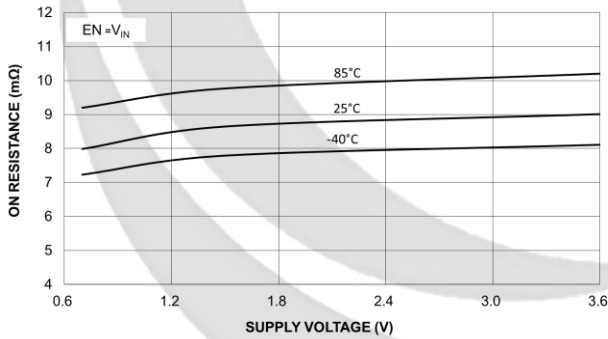


Figure 4. On-Resistance vs. Supply Voltage

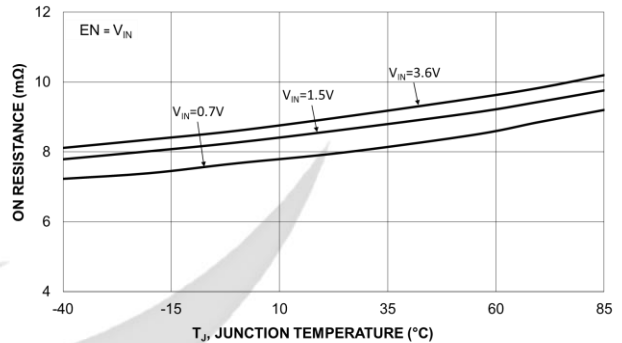


Figure 5. On-Resistance vs. Temperature

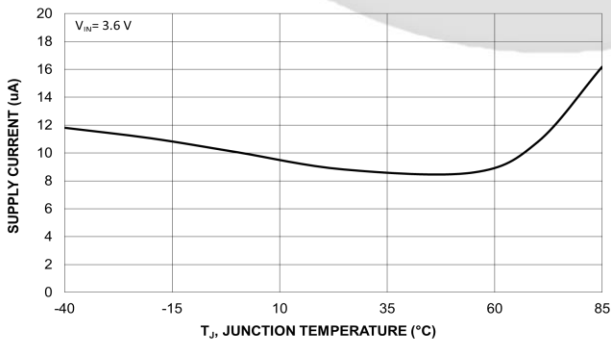


Figure 6. Quiescent Current vs. Temperature

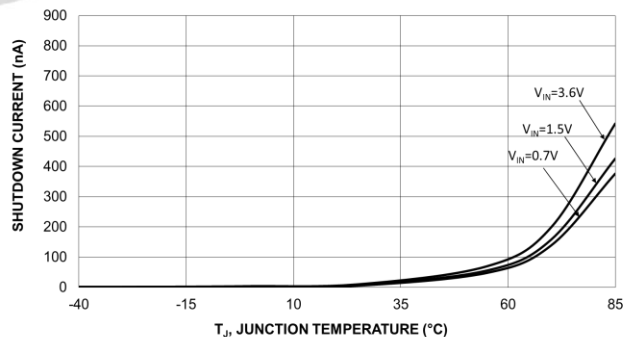


Figure 7. Shutdown Current vs. Temperature

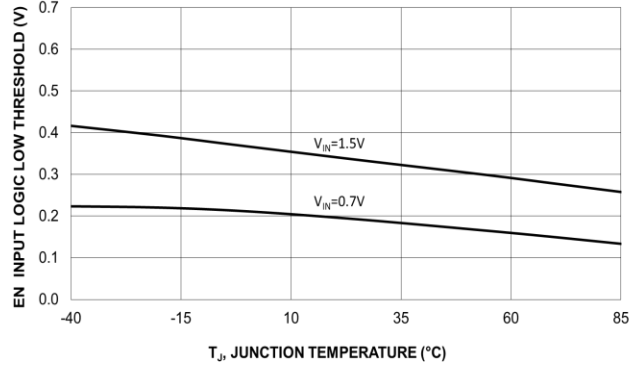
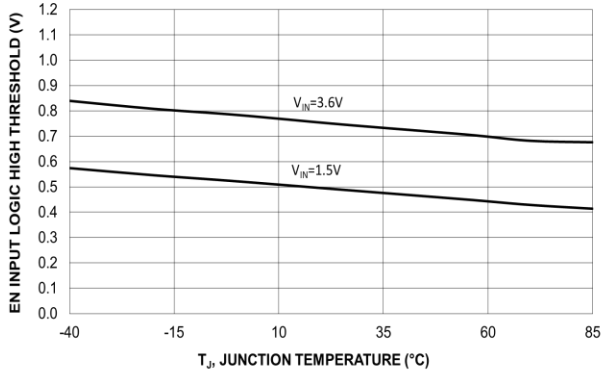


Figure 8. EN Input Logic High Threshold Vs. Temperature      Figure 9. EN Input Logic Low Threshold Vs. Temperature

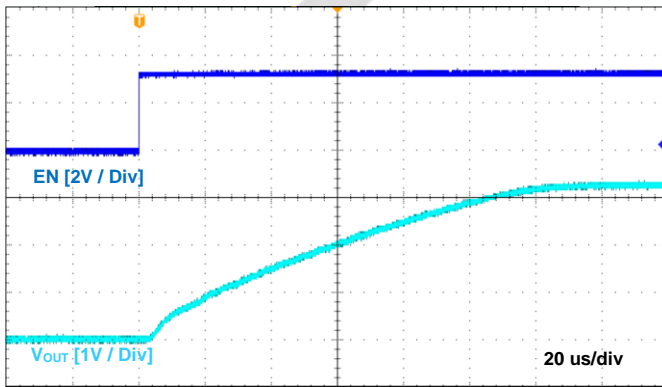


Figure 14. Turn-On Response  
 $V_{IN}=3.3\text{ V}$ ,  $C_{IN}=1.0\text{ }\mu\text{F}$ ,  $C_{OUT}=5.0\text{ }\mu\text{F}$ ,  $R_L=10\text{ }\Omega$

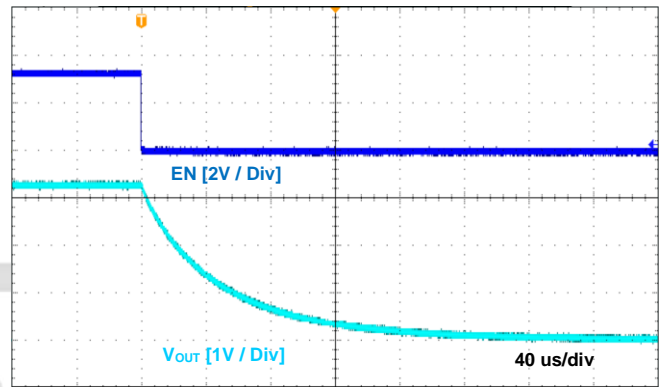


Figure 15. Turn-Off Response  
 $V_{IN}=3.3\text{ V}$ ,  $C_{IN}=1.0\text{ }\mu\text{F}$ ,  $C_{OUT}=5.0\text{ }\mu\text{F}$ ,  $R_L=10\text{ }\Omega$

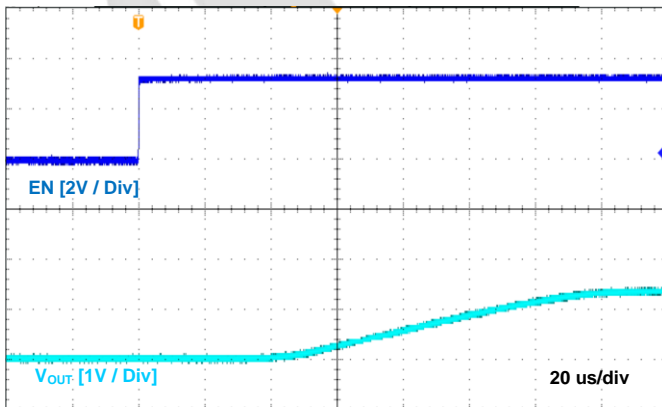


Figure 14. Turn-On Response  
 $V_{IN}=0.7\text{ V}$ ,  $C_{IN}=1.0\text{ }\mu\text{F}$ ,  $C_{OUT}=5.0\text{ }\mu\text{F}$ ,  $R_L=10\text{ }\Omega$

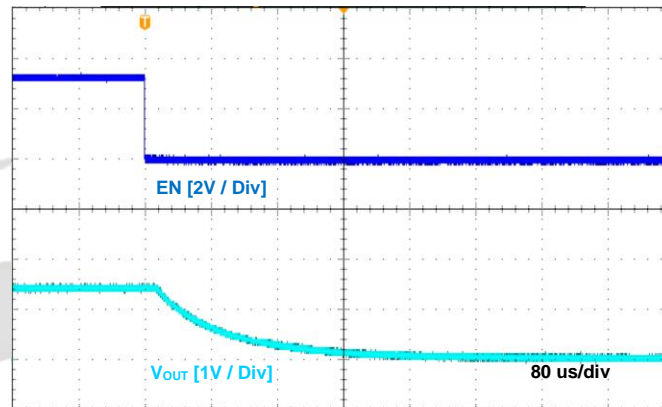


Figure 15. Turn-Off Response  
 $V_{IN}=0.7\text{ V}$ ,  $C_{IN}=1.0\text{ }\mu\text{F}$ ,  $C_{OUT}=5.0\text{ }\mu\text{F}$ ,  $R_L=10\text{ }\Omega$

## APPLICATION INFORMATION

The GLF72525 and GLF72525T are a fully integrated 4 A NMOS load switch with fixed slew rate control to limit the inrush current during turn on. Each device is capable of operating over a wide input range with very low on-resistance to reduce conduction loss. In the off state, these devices consume very low leakage current, avoiding unwanted standby current from the input power supply. The GLF72525 and GLF72525T are available in the 0.97 mm x 1.47 mm wafer level chip scale package with 6 bumps at 0.5 mm pitch to save space in compact applications.

### Input Capacitor

A capacitor is recommended to be placed close to the  $V_{IN}$  pin to reduce the voltage drop on the input power rail caused by transient inrush current at start-up. A higher input capacitor value can be used to further attenuate the input voltage drop.

### Output Capacitor

An output capacitor is recommended to minimize voltage undershoot on the output pin during the transition when the switch is turned off. Undershoot can be caused by parasitic inductance from board traces or intentional load inductances. If load inductances do exist, use of an output capacitor can improve output voltage stability and system reliability. The  $C_{OUT}$  capacitor should be placed close to the VOUT and GND pins.

### Reverse Current Blocking

The GLF72525 and GLF72525T have a built-in reverse current blocking protection, when the device is disabled. The reverse current blocking protection is activated to prevent the reverse current from the VOUT to the VIN source.

### EN pin

The GLF72525 and GLF72525T can be activated by EN pin high. Note that the EN pin has an internal pull-down resistor to maintain a reliable status without EN signal applied from an external controller.

### Output Discharge Function

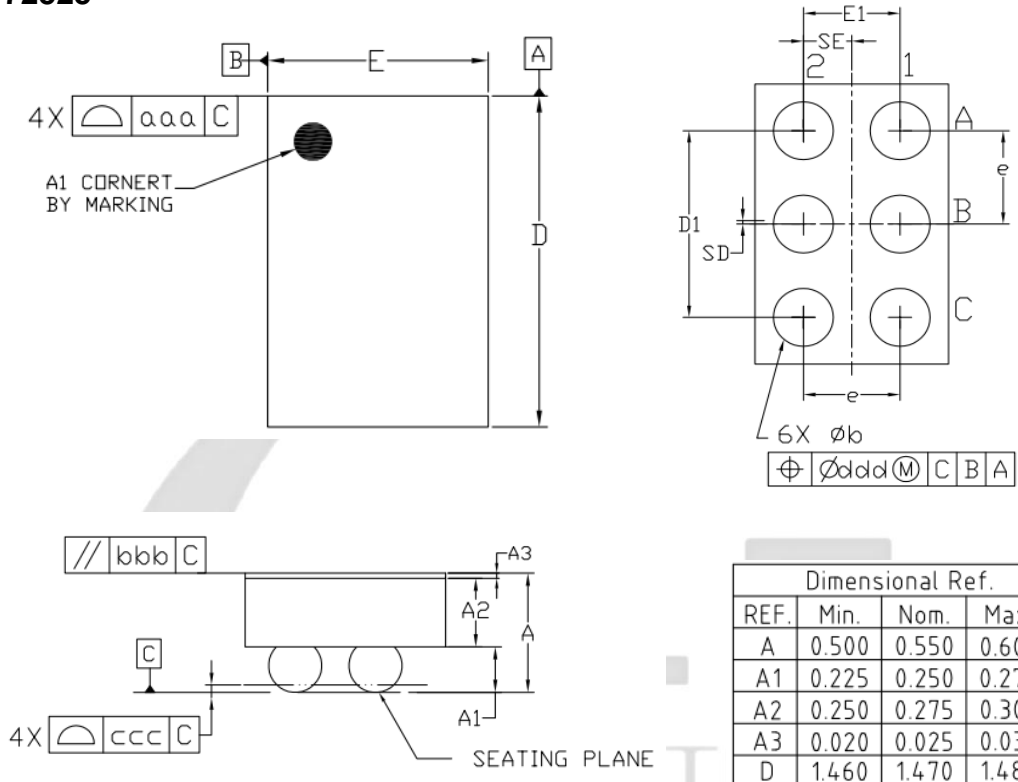
The GLF72525 and GLF72525T have an internal discharge N-channel FET switch on the VOUT node. When EN signal turns the main power FET to an off state, the N-channel switch turns on to discharge an output capacitor quickly.

### Board Layout

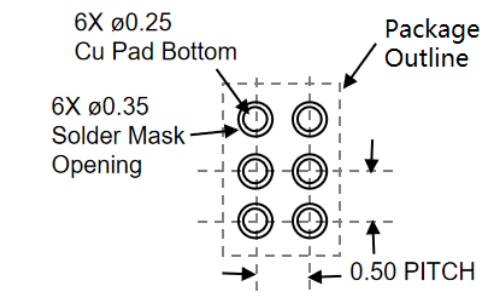
All traces should be as short as possible to minimize parasitic inductance effect. Wide traces for VIN, VOUT, and GND will help reduce signal degradation and parasitic effects during dynamic operations as well as improve the thermal performance at high load current.

**PACKAGE OUTLINE**

**GLF72525**



**Recommended Footprint**



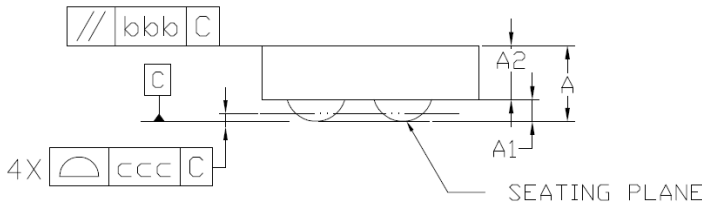
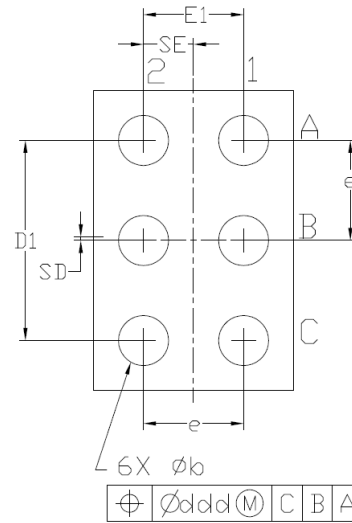
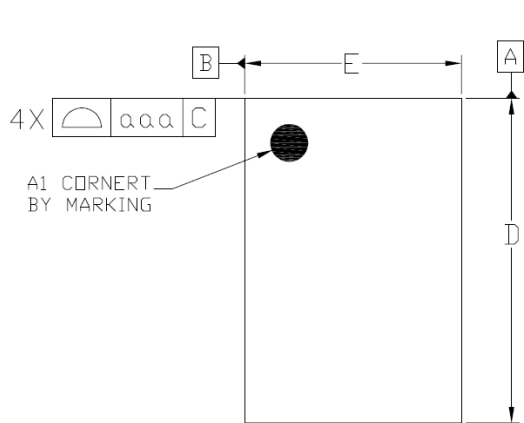
Dimensional Ref.			
REF.	Min.	Nom.	Max.
A	0.500	0.550	0.600
A1	0.225	0.250	0.275
A2	0.250	0.275	0.300
A3	0.020	0.025	0.030
D	1.460	1.470	1.485
D1	0.950	1.000	1.050
E1	0.450	0.500	0.550
b	0.260	0.310	0.360
e	0.500 BSC		
SD	0.000 BSC		
SE	0.250 BSC		
Tol. of Form&Position			
aaa	0.10		
bbb	0.10		
ccc	0.05		
ddd	0.05		

**Notes**

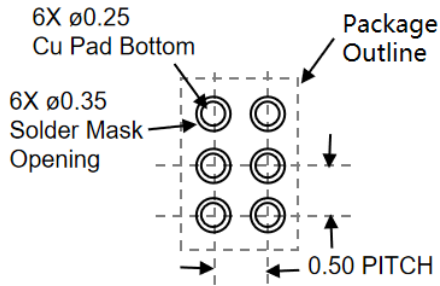
1. ALL DIMENSIONS ARE IN MILLIMETERS (ANGLES IN DEGREES)
2. DIMENSIONING AND TOLERANCING PER ANSI Y14.5M-1994.
3. A3: BACKSIDE LAMINATION



**GLF72525T**



**Recommended Footprint**



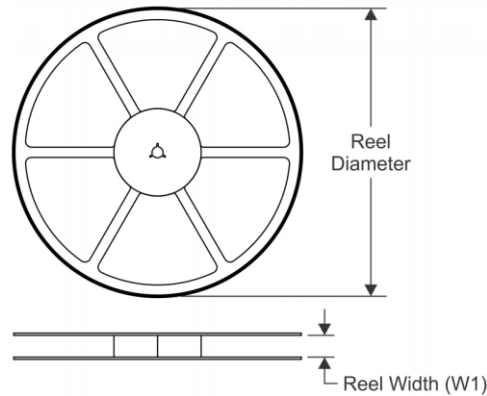
Dimensional Ref.			
REF.	Min.	Nom.	Max.
A	0.300	0.350	0.400
A1	0.075	0.100	0.125
A2	0.225	0.250	0.275
D	1.460	1.470	1.485
E	0.960	0.970	0.985
D1	0.950	1.000	1.050
E1	0.450	0.500	0.550
b	0.210	0.250	0.290
e	0.500 BSC		
SD	0.000 BSC		
SE	0.250 BSC		
Tol. of Form&Position			
aaa	0.10		
bbb	0.10		
ccc	0.05		
ddd	0.05		

**Notes**

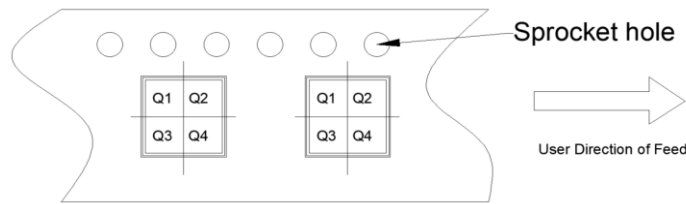
1. ALL DIMENSIONS ARE IN MILLIMETERS (ANGLES IN DEGREES)
2. DIMENSIONING AND TOLERANCING PER ANSI Y14.5M-1994.
3. A3: BACKSIDE LAMINATION

**TAPE AND REEL INFORMATION**

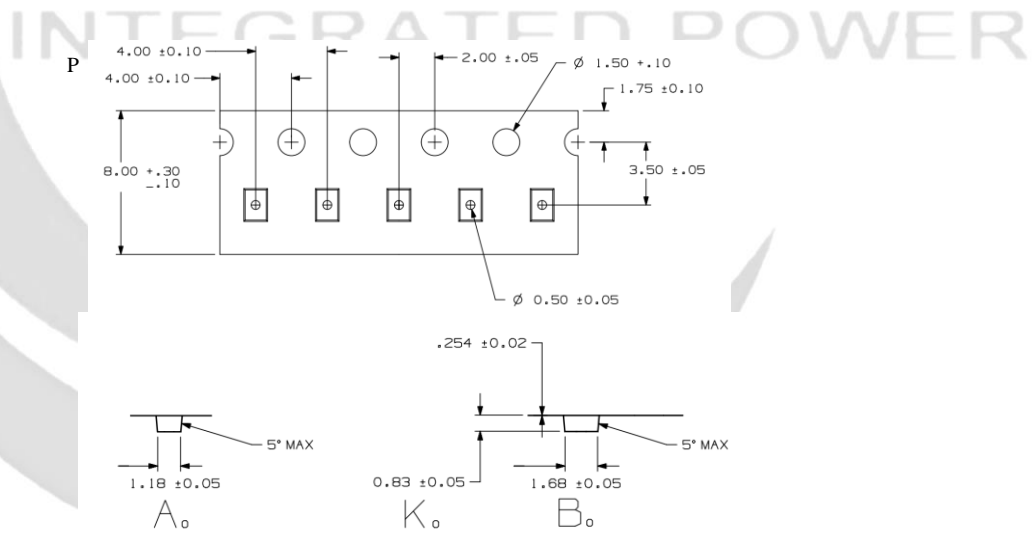
**REEL DIMENSIONS**



**QUADRANT ASSIGNMENTS PIN 1 ORIENTATION TAPE**



**TAPE DIMENSIONS**



Device	Package	Pins	SPQ	Reel Diameter (mm)	Reel Width W1	A0	B0	K0	P	W	Pin1
GLF72525	WLCSP	6	3000	180	9	1.18	1.68	0.83	4	8	Q1
GLF72525T	WLCSP	6	3000	180	9	1.18	1.68	0.83	4	8	Q1

**Remark:**

- A0: Dimension designed to accommodate the component width
- B0: Dimension designed to accommodate the component length
- C0: Dimension designed to accommodate the component thickness
- W: Overall width of the carrier tape
- P: Pitch between successive cavity centers

**SPECIFICATION DEFINITIONS**

Document Type	Meaning	Product Status
Target Specification	This is a target specification intended to support exploration and discussion of critical needs for a proposed or target device. Spec limits including typical, minimum, and maximum values are desired, or target, limits. GLF reserves the right to change limits at any time without warning or notification. A target specification in no way guarantees future production of the device in question.	Design / Development
Preliminary Specification	This is a draft version of a product specification. The specification is still under internal review and subject to change. GLF reserves the right to change the specification at any time without warning or notification. A preliminary specification in no way guarantees future production of the device in question.	Qualification
Product Specification	This document represents the anticipated production performance characteristics of the device.	Production

**DISCLAIMERS**

Information in this document is believed to be accurate and reliable, however GLF assumes no liability for errors or omissions. Device performance may be impacted by testing methods and application use cases. Users are responsible to independently evaluate the applicability, usability, and suitability of GLF devices in their application. In no case will GLF be liable for incidental, indirect, or consequential damages associated with the use, mis-use, or sale of its product. Customers are wholly responsible to assure GLF devices meet their system level and end product requirements. GLF retains the right to change the information provided in this data sheet without notice.